

## FLEXIBILIZED EPOXY CRACK BRIDGING MEMBRANE

### PRODUCT DESCRIPTION

Stonproof CT5 is a two-component, flexibilized epoxy membrane designed exclusively for use in the isolation of dynamic cracks. Stonproof CT5, in conjunction with a 10 oz fiberglass engineering fabric, comprises our Stonproof Crack Treatment System. Stonproof CT5 is compatible with most floor systems and exhibits excellent adhesion and hardness to handle heavy traffic areas.

### USES, APPLICATIONS

Stonproof CT5, in conjunction with the 10 oz engineering fabric, effectively eliminates dynamic crack propagation through the overlayment.

### PRODUCT ADVANTAGES

- 100% Solids.
- Compatible with most flooring systems.
- Excellent bond strength assures good adhesion.
- Factory proportioned packaging ensures consistent, high quality and simplified mixing.

### PACKAGING

Stonproof CT5-659 Is packaged in 2 litre units for easy handling.

Engineered Fabric: 1 roll SC-GSB250

### COVERAGE

Approximately 10 linear metres / 2 litre kit / 300mm wide.

### STORAGE CONDITIONS

Store Stonproof CT5 between 16 to 30°C in a dry area. Avoid excessive heat and do not freeze. The shelf life is 3 years in the original, unopened container.

### SUBSTRATE PREPARATION

Proper preparation is critical to ensure an adequate bond. The substrate must be dry and free of all wax, grease, oils, fats, soil, loose or foreign materials, and laitance. Laitance and unbonded cement particles must be removed by mechanical methods, i.e. abrasive blasting or scarifying. Other contaminants may be removed by scrubbing with a heavy-duty industrial detergent (Carboclean 250) and rinsing with clean water. The surface must show open pores throughout and have a sandpaper texture. For recommendations or additional information regarding substrate preparation, contact StonCor Africa Technical Service Department.

### PRIMING

Priming for Stonproof CT5 is generally not necessary. However, where bonding is questionable, priming the substrate with Stonprime 786 OPR Primer is recommended. Allow the primer to cure prior to overlaying.

April 2012 SA

### PHYSICAL CHARACTERISTICS

<b>Cure Rate</b>	5 to 6 hours for tack-free surface
<b>Pot Life</b>	30 Minutes
<b>Coverage</b>	10lm/2lt/300mm wide
<b>Elongation ASTM C-307</b>	100%
<b>Hardness ASTM D-2240, Shore A</b>	70
<b>Bond Strength ASTM D-7234</b>	>400 psi 100% concrete failure

**Note:** The above physical characteristics were measured in accordance with the referenced standards. Samples of the actual membrane system, including binder, filler and engineering fabric were used as test specimens.

### MIXING

Stonproof CT5 is supplied in pre-measured quantities. Mixing must be achieved by mechanical means. Mechanical mixing should be done using a heavy-duty, slow-speed drill (400 to 600 rpm) with a Jiffy Mixer. Empty contents of Part B into a mixing container and pre-mix to assure the suspension of solids. Add Part A and continue to mix to a uniform consistency for approximately 3 minutes. Avoid high-speed mixing that will entrain air bubbles. Thorough mixing of the two components is required.

### POT LIFE

After mixing, Stonproof CT5 has a working time of 30 minutes at 25°C. The working time may vary depending upon ambient and surface conditions.

### APPLICATION

Stonproof CT5 can be applied at ambient temperatures of 16 to 30°C. Stonproof CT5 must be applied immediately after mixing the two components. Stonproof CT5 is applied at 0.7m with a 2mm notched trowel in a 300mm wide path straddling the dynamic crack and following the course of the crack. The 250mm wide, 10 oz. woven glass is placed in the surface of the Stonproof CT5 and lightly saturated with a medium nap roller.

**Note:** Care must be taken not to push the woven roving into the CT5. It is designed to be on the surface of the membrane. Any questions regarding the application of Stonproof CT5 should be directed to StonCor Africa Technical Service.

(Stonproof CT5)

To the best of our knowledge the technical data contained herein are true and accurate at the date of issuance and are subject to change without prior notice. User must contact StonCor Africa to verify correctness before specifying or ordering. No guarantee of accuracy is given or implied. We guarantee our products to conform to StonCor Africa quality control. We assume no responsibility for coverage, performance or injuries resulting from use. Liability, if any, is limited to replacement of products. Prices and cost data, if shown, are subject to change without prior notice. NO OTHER WARRANTY OR GUARANTEE OF ANY KIND IS MADE BY STONCOR AFRICA, EXPRESS OR IMPLIED, STATUTORY, BY OPERATION OF LAW OR OTHERWISE, INCLUDING MERCHANTABILITY AND FITNESS FOR A PARTICULAR PURPOSE.

## CURING

The surface of Stonproof CT5 will be tack-free in 5 to 6 hours at 25°C. Ultimate physical characteristics will be achieved in 7 days.

## RECOMMENDATIONS

- Apply only on a clean, sound and properly prepared substrate.
- Minimum ambient and surface temperature is 16°C at time of application.
- Do not use water or steam in the vicinity of the application.  
**Moisture can seriously affect the working time and properties of the material.**
- Application and curing times are dependent upon ambient and surface conditions.

## PRECAUTIONS

- Toluene or Xylene solvents are recommended for clean-up of unreacted Stonproof CT5 material. The reacted materials must be removed by mechanical means. Use these materials only in strict accordance with the manufacturer's recommended safety procedures.
- Dispose of waste materials in accordance with government regulations.
- The use of NIOSH/MSHA approved respirators using an organic vapor/acid gas cartridge is recommended.
- The use of safety glasses and impervious gloves is required during application.
- In case of contact, flush the area with copious amounts of water for 15 minutes and seek medical attention. Wash skin with soap and water.
- Use only with adequate ventilation.

## NOTES

- Material Safety Data Sheets for Stonproof CT5 are available online at [www.stonhard.com](http://www.stonhard.com) under Tech Info or upon request.
- A staff of technical service engineers is available to assist with application, or to answer questions related to Stonhard products.
- Requests for technical literature or service can be made through local sales representatives and offices, or corporate offices located worldwide.

**CAUTION: MAY CONTAIN FLAMMABLE SOLVENTS. KEEP AWAY FROM SPARKS AND OPEN FLAMES. IN CONFINED AREAS WORKMEN MUST WEAR FRESH AIRLINE RESPIRATORS. HYPERSENSITIVE PERSONS SHOULD WEAR GLOVES OR USE PROTECTIVE CREAM. ALL ELECTRONIC EQUIPMENT AND INSTALLATIONS SHOULD BE MADE AND GROUNDED IN ACCORDANCE WITH THE NATIONAL ELECTRICAL CODE. IN AREAS WHERE EXPLOSION HAZARDS EXIST, WORKMEN SHOULD BE REQUIRED TO USE NONFERROUS TOOLS AND TO WEAR CONDUCTIVE AND NONSPARKING SHOES**



**StonCor Africa (Pty) Ltd**

Co. Reg. No. 1996/001848/07

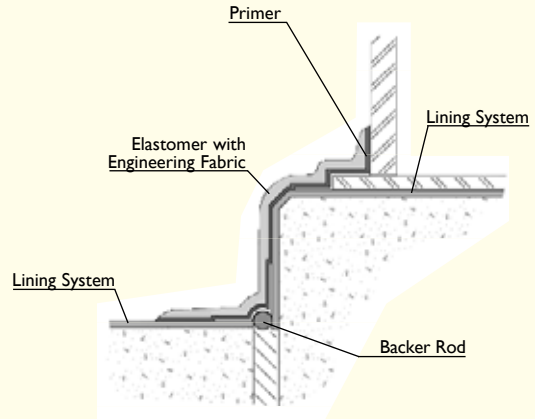
Tel: +27 (0)11 254 5500

Website: [www.stoncor.co.za](http://www.stoncor.co.za)

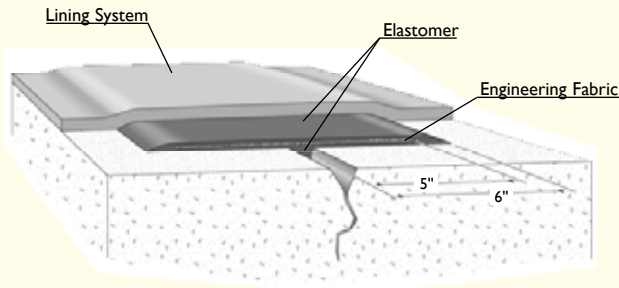
E-mail: [stoncorsa@stoncor.com](mailto:stoncorsa@stoncor.com)

**SEAMLESS LINING SYSTEMS**

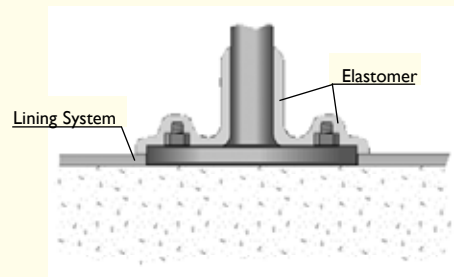
Stonhard's lining experts are devoted exclusively to concrete corrosion protection. And protection begins with proper design and engineering details. Our experience coating both primary and secondary containment areas gives us the ability to offer you the most safe, effective, long-term solutions, from products to installation. Stonhard also offers seamless floor protection to work in conjunction with your lining solutions. Proven performance for 90 years, Stonhard gives you a single source warranty on floor and lining systems.



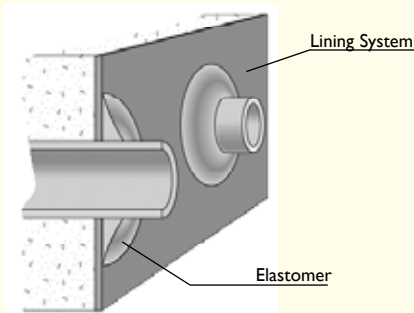
Seal for Tank Bottom and Foundation Treatment



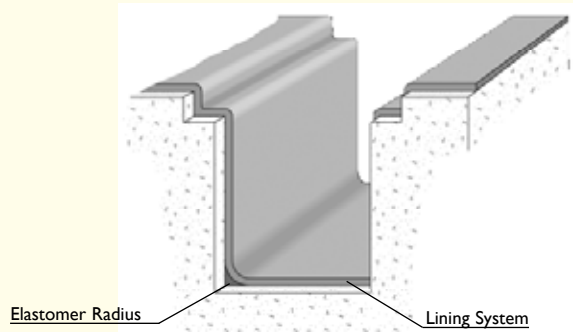
Crack Treatment Reinforced Crack Repair



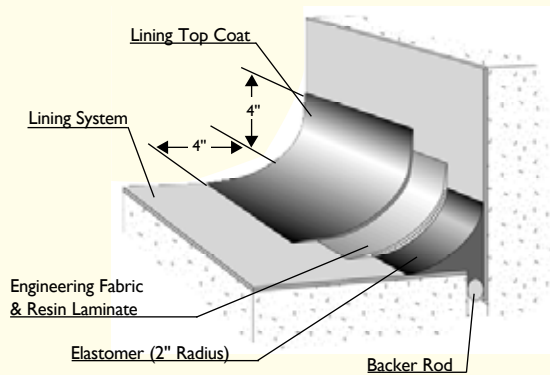
Treatment for Equipment Footings



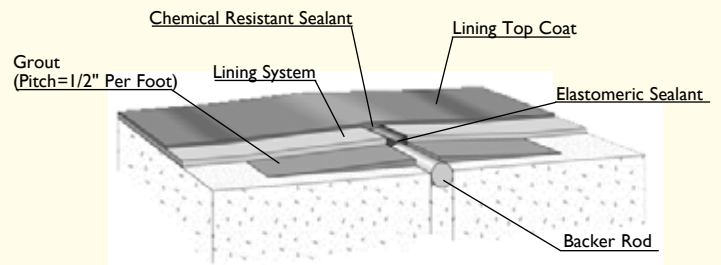
Seal for Pipe Penetrations



Treatment for Sumps and Trenches



Joint Treatment Horizontal – Vertical Isolation Joint



Joint Treatment High Movement Joint